

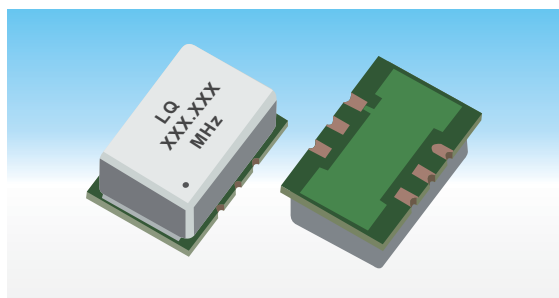
# TCXO / Temperature Compensated Crystal Oscillator

9T Series SMD 14×9 TCXO

40MHz~150MHz

O: Sine Wave /CMOS

Size:14.5×9.6×6.5 mm



## Features

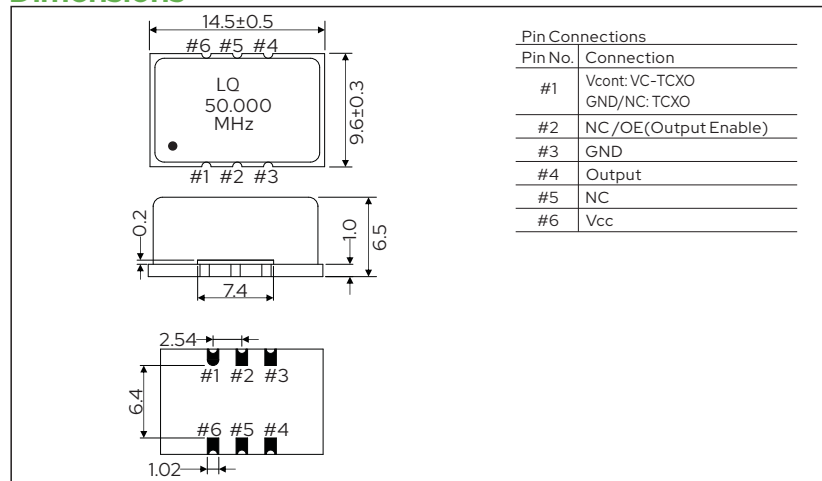
- Small SMD Package, Metal cover FR-4 PCB based SMD
- High stability for stratum 3
- Low phase noise
- Output type: Sine Wave /CMOS
- High frequency range: 40MHz~150MHz
- VCTCXO available
- Application for telecom system, Time synchronization, Test & Measurement, Microwave communications, etc
- RoHS Compliant /Pb Free



## Standard Specifications

Item	Type	9T Series SMD 14×9 TCXO /VC-TCXO	
Output Frequency Range		40MHz~150MHz	
Supply Voltage		3.3V	
Current Consumption		35mA max.	
Output Level		Sine Wave 8dBm Harmonics: -30dBc max.	CMOS "0" level 0.1×Vcc V max. "1" level 0.9×Vcc V min.
Output Load		50Ω	15pF
Frequency Stability	vs. Tolerance	±1.0ppm max.	
	vs. Temperature	±0.5ppm~±4.6ppm max.	
	vs. Supply Voltage	±1.0ppm max.	
	vs. Load	±1.0ppm max.	
	vs. Aging	±1.0ppm/year max.	
Start-up Time		2ms max.	10ms max.
Rise and Fall Time		/	10ns max.
VC-TCXO	Frequency Control Range	±5.0ppm min.	
	Control Voltage Range	1.5V±1V	
	Input impedance	1.0MΩ min.	
	Response Slope	Positive	
Phase Noise	Offset 10Hz	-87dBc/Hz max.	
	Offset 100Hz	-117dBc/Hz max.	
	Offset 1KHz	-141dBc/Hz max.	
	Offset 10KHz	-148dBc/Hz max.	
Operating Temperature Range		-30~+85°C, -40~+85°C, or specify	
Storage Temperature Range		-55~+125°C	

## Dimensions



## Recommended Land Pattern [mm]

